

## INSTRUCTIONS FOR INSTALLING A LIGHT DIFFUSER REPLACEMENT KIT IN ANY NATIONAL VENDORS® 140 - SHOWCASE MERCHANDISER

These instructions cover the procedures for installing a Light Diffuser Replacement Kit in any 140 - Showcase Merchandiser.

Read these instructions carefully and thoroughly before installing the Kit. Retain these instructions for part number and installation information. Kit, Part Number 140-2101, contains the following parts:

Part Number	Description	Quantity
140-2057	Light Diffuser	1
140-2056	Light Diffuser Retainer	7
220-2110	.093 Push On Retainer	7
424-7014	Accordion Rivet	7
140-2102	Installation Instructions	1
	* * *	

### TO INSTALL THE KIT

#### A. PARTS REMOVAL

1. Disconnect the Merchandiser Service Cord from the wall receptacle.
2. Unlock and open the Merchandiser Cabinet Door.
3. Remove the Fluorescent Lamp and the Diffuser Tube from the Light Bracket Assembly. See Figure 1.
4. Remove the seven Canoe Clips or seven Push On Retainers and the seven Light Diffuser Retainers from the Light Diffuser to be replaced. See Figure 1.
5. Remove the Light Diffuser from the Light Bracket Assembly.

#### B. INSTALLATION OF THE KIT

1. Align the seven holes in the replacement Light Diffuser, Part Number 140-2057, included in the Kit, with the seven holes in the Light Bracket Assembly. See Figure 1.

#### NOTE

1. *Early model Merchandisers require the use of Light Diffuser Retainers and .093 Push On Retainers due to the larger holes in the Light Bracket Assembly.*
2. *Late model Merchandisers require the use of Accordion Rivets due to the smaller holes in the Light Bracket Assembly. The Accordion Rivets are self-retaining and do not require the use of the .093 Push-on Retainers.*

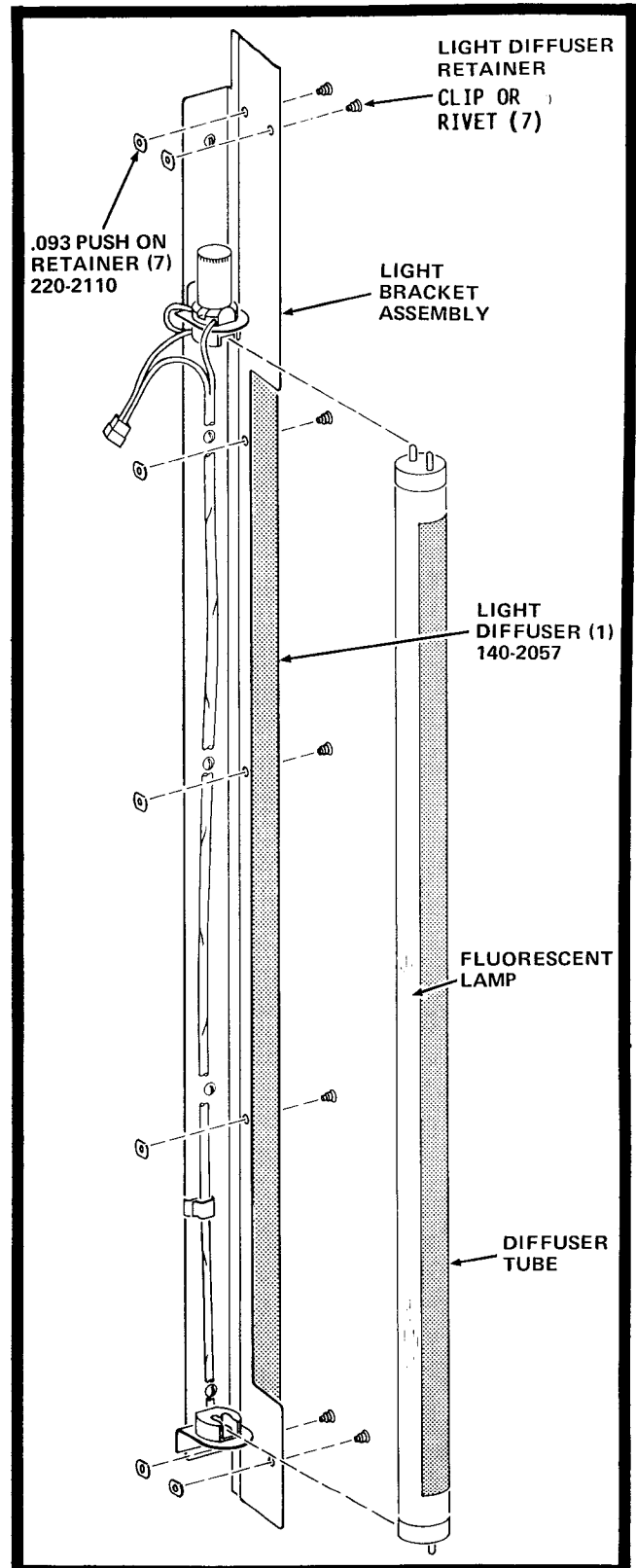


FIGURE 1

2. Insert a Light Diffuser Retainer, Part Number 140-2056, or an Accordion Rivet, Part Number 424-7014, included in the Kit, through each of the seven holes in the Light Diffuser and through the seven holes in the Light Bracket Assembly.

**NOTE**

*If Accordion Clip used in Step 2, omit Step 3.*

3. Secure the seven Light Diffuser Retainers with seven .093 Push On Retainers, Part Number 220-2110, included in the Kit.
4. Install the Fluorescent Lamp and the Diffuser Tube in the Light Bracket Assembly.
5. Close and lock the Merchandiser Cabinet Door.
6. Connect the Merchandiser Service Cord to the properly polarized wall receptacle.